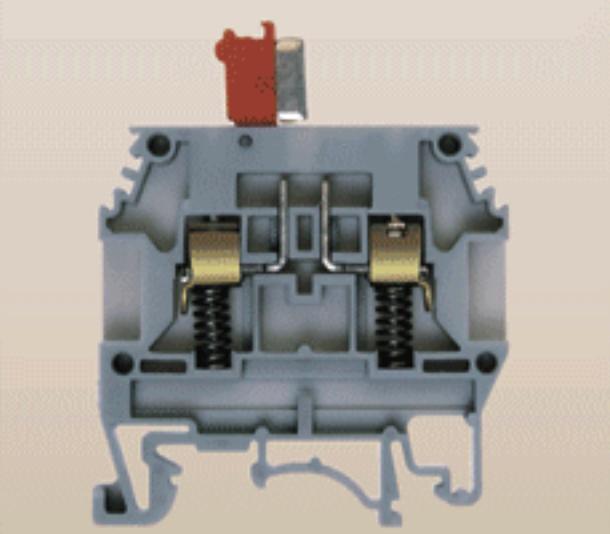
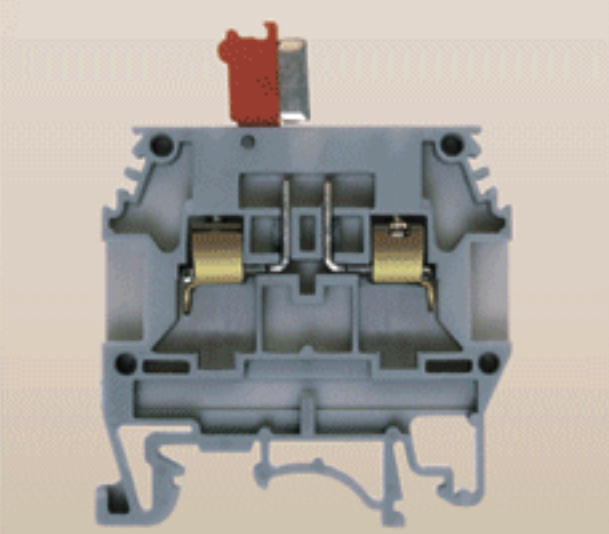
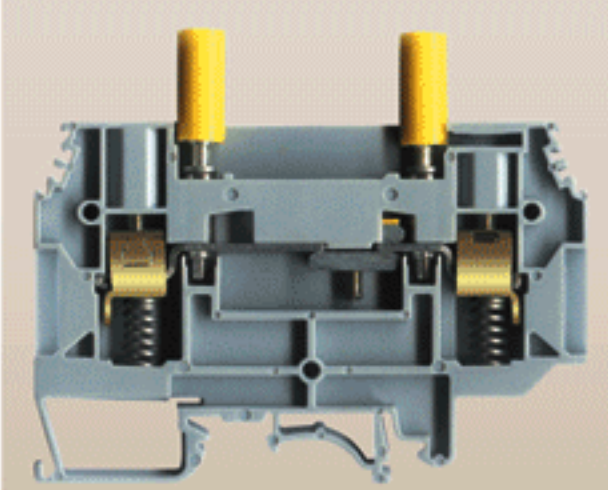
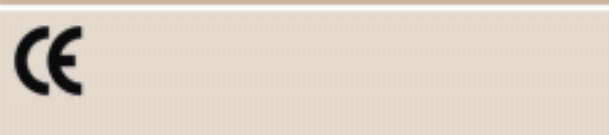


KULTD 6	KULTD 4	KULTD 4WS
8 mm (0.31 Inch)	6 mm (0.24 Inch)	6 mm (0.24 Inch)
56 x 85.5 (2.20 x 3.35)	51 x 52 (2.00 x 2.05)	51 x 52 (2.00 x 2.05)
6 sq mm	4 sq mm	4 sq mm
0.5 sq mm - 6 sq mm	0.5 sq mm - 4 sq mm	0.5 sq mm - 4 sq mm
0.5 sq mm - 10 sq mm	0.5 sq mm - 4 sq mm	0.5 sq mm - 4 sq mm
12 mm	8 mm	8 mm
2 screw clamp & 2 sockets for inserting test probe	2 screw clamp	2 screw clamp
800 V/32 A/6 sq mm/1.0 Nm 600 V/35 A/8-24 AWG/10 Lbln	800 V/20 A/4 sq mm/0.6 Nm 600 V/15 A/10-24 AWG/5 Lbln	800 V/20 A/4 sq mm/0.6 Nm 600 V/15 A/10-24 AWG/5 Lbln
M3.5	M3	M3

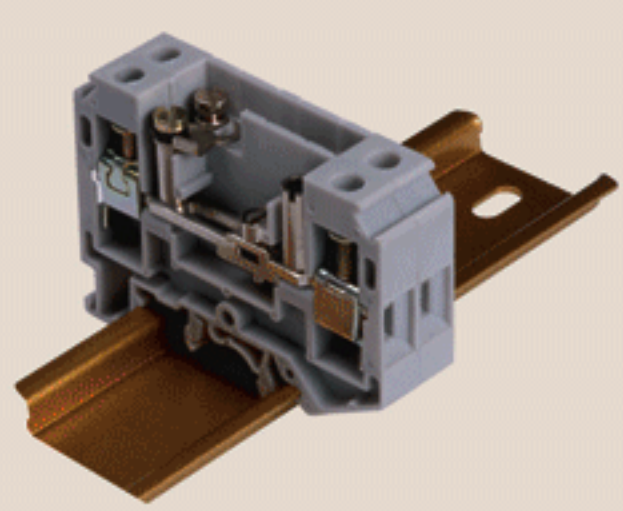


**RU SPRING LOADED RU**

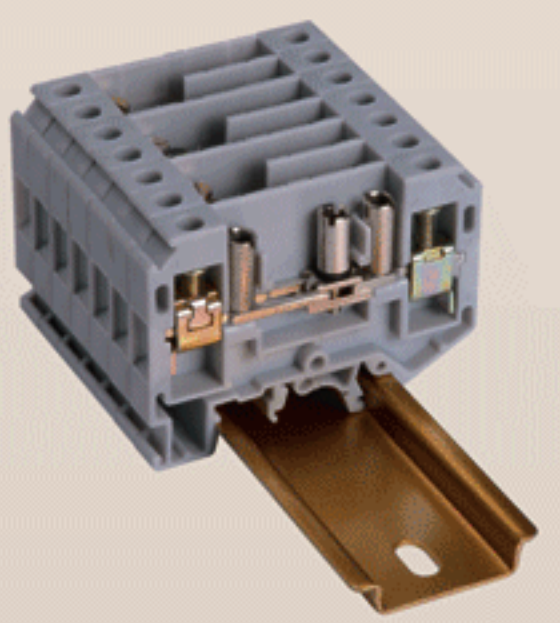
**RU RU**

**RU SPRING LOADED RU**

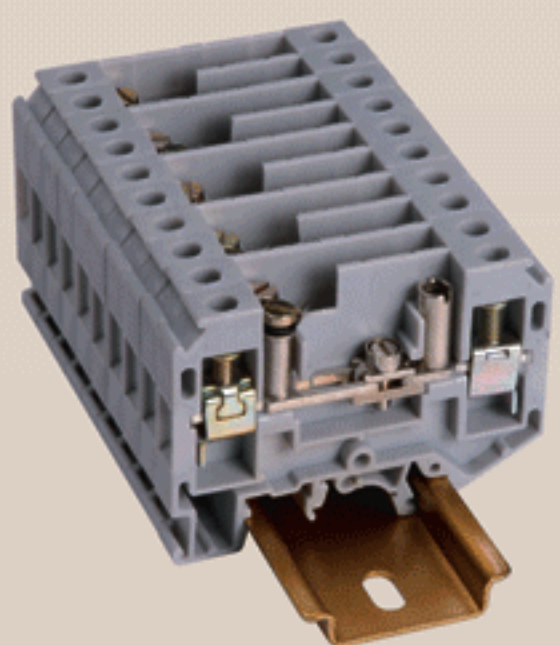
CAT #	STD. PKG.	WT/STD.PKG-KG	CAT #	STD. PKG.	WT/STD.PKG-KG	CAT #	STD. PKG.	WT/STD.PKG-KG
KULTD 6	50	2.10	KULTD4	100	1.25	KULTD4WS	100	1.25
KPSLD	100	0.72	KPSD4	100	0.51	KPSD4	100	0.51
--	--	--	KBZF	100	0.75	KBZF	100	0.75
SCKN	100	0.80	SCKN	100	0.80	SCKN	100	0.80
SCUN	100	0.94	SCUN	100	0.94	SCUN	100	0.94
SCUSL	50	0.63	SCUSL	50	0.63	SCUSL	50	0.63
SCUDD	50	0.64	SCUDD	50	0.64	SCUDD	50	0.64
SLD6-2W	100	0.32	SLCM2.5 - 2W	100	0.20	SLCM2.5 - 2W	100	0.20
--	--	--	SLCM2.5 - 3W	100	0.30	SLCM2.5 - 3W	100	0.30
SLD6-4W	100	0.54	SLCM2.5 - 4W	100	0.40	SLCM2.5 - 4W	100	0.40
--	--	--	SLCM2.5 - 5W	50	0.25	SLCM2.5 - 5W	50	0.25
--	--	--	SLCM2.5 - 10W	50	0.50	SLCM2.5 - 10W	50	0.50
Label KN 8	100 Strips	0.12	Label KN 5.5	100 Strips	0.08	Label KN 5.5	100 Strips	0.08
SCKNMLH	50	0.55	SCKNMLH	50	0.55	SCKNMLH	50	0.55
SCUNMLH	50	0.60	SCUNMLH	50	0.60	SCUNMLH	50	0.60
KULTD 6(G), KULTD 6(K)			KULTD4(G), KULTD4(K)			KULTD4WS(G), KULTD4WS(K)		
KULTD 6(R), KULTD 6(Y), KULTD 6(B)			KULTD4(R), KULTD4(Y), KULTD4(B)			KULTD4WS(R), KULTD4WS(Y), KULTD4WS(B)		
KULTD 6(BL), KULTD 6(GR)			KULTD4(BL), KULTD4(GR)			KULTD4WS(BL), KULTD4WS(GR)		
CHS 3/5/10	100/100/50	22/37/36	CHS 3/5/10	100/100/50	22/37/36	CHS 3/5/10	100/100/50	22/37/36
CHK 3/5/10	100/100/100	11/19/36	CHK 3/5/10	100/100/100	11/19/36	CHK 3/5/10	100/100/100	11/19/36
CHKS 3/5/10	100/100/100	11/17/34	CHKS 3/5/10	100/100/100	11/17/34	CHKS 3/5/10	100/100/100	11/17/34
CHKDS 10	50	34.50	CHKDS 10	50	34.50	CHKDS 10	50	34.50



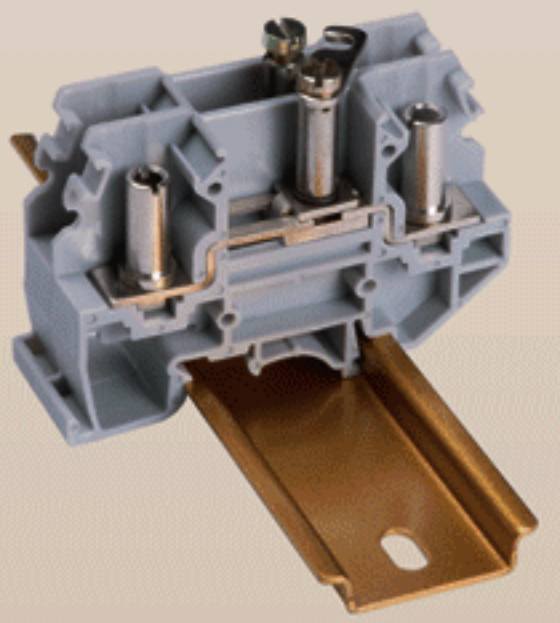
**KUTSD 6 - 2 WAY**



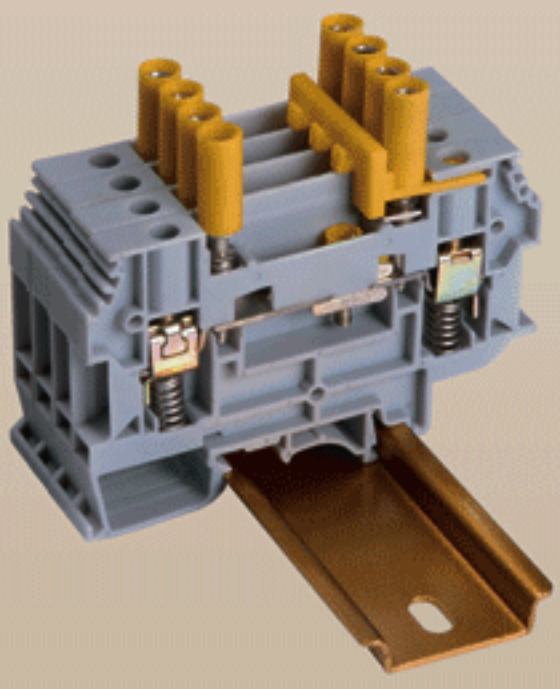
**KUTSD 6 - 7 WAY**



**KUTSD 6 - 10 WAY**



**KLTD M4 - 2 WAY**



**KULTD 6 - 4 WAY**