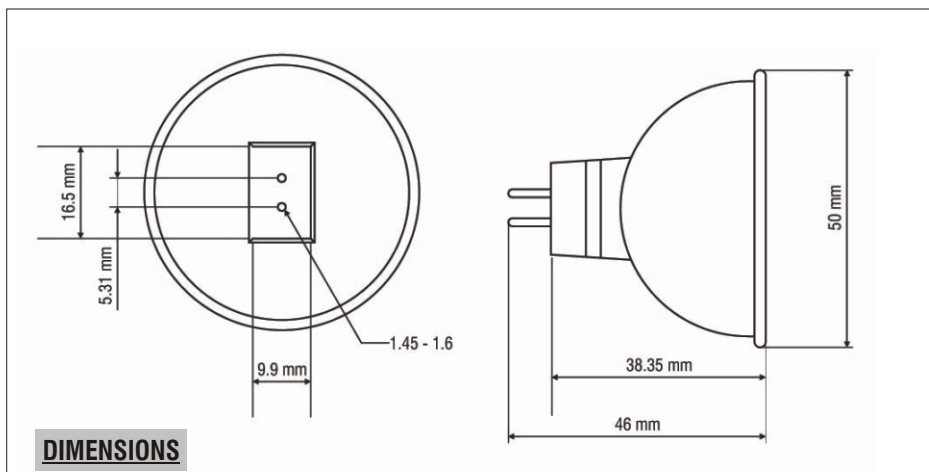


# ALTO- SUPER BRITE MR16 LED

SHEET REF:/see Proxy 99 e-mail data/spec sheet pdf/MR16 Data sheet



**DIMENSIONS**

## FEATURES

- Extra high bright reliability LED lamps.
- Wide viewing angle (30 or 60 )
- Energy saving and works more than 10 times longer than a halogen bulb.
- 12pcs 5mm/4.8mm LED lamps.
- MR16 GX5.3 bi - pins
- 12V AC/DC
- Colours: Red, Green, Yellow, Blue, White or Sunset White.

**WARNING:** These lamps must only be used with traditional transformers.

## OPTICAL CHARACTERISTIC FOR EACH COLOUR

	PARAMETER	SYMBOL	MIN	TYP	MAX	UNIT
Operate Voltage	AC	V	....	12	14	V
Forward Current	Vin=12V AC	IF	....	80	....	MA

## COLOURS & BRIGHTNESS

	BRIGHTNESS cd		DOMINANT WAVELENGTH/ nM
	30	60	
Red	96	48	630
Yellow	90	48	590
Green	108	78	525
Blue	30	18	470
White	42	48	see table
Sunset white	TBA	TBA	

## CHROMATICITY CO-ORDINATES

### CONVENTIONAL A - RANK (Approximate Color Temperature: 6.500 - 10.000K)

X	0.280	0.264	0.283	0.296
Y	0.248	0.267	0.305	0.276

### CONVENTIONAL B - RANK (Approximate Color Temperature: 4.500 - 5.500K)

X	0.330	0.330	0.361	0.356
Y	0.318	0.360	0.385	0.351

### CONVENTIONAL B - RANK (Approximate Color Temperature: 4.500 - 5.500K)

X	0.296	0.287	0.330	0.330
Y	0.276	0.295	0.339	0.318

### CONVENTIONAL B - RANK (Approximate Color Temperature: 4.500 - 5.500K)

X	0.287	0.283	0.330	0.330
Y	0.248	0.305	0.360	0.339

## SUNSET WHITE (App Colour Temp 2900 - 2600K)