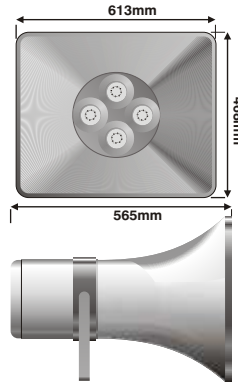


## DISASTER WARNING SOUNDER

Model name	Sound Output @ 1m	No. of Tones	Effective Range at 1KHz	Degree of Protection	Weight (Kg)	Temp. of Range	Stages	Marine Use	Volume control
------------	-------------------	--------------	-------------------------	----------------------	-------------	----------------	--------	------------	----------------

### e2S A140

- Colour : Grey
  - Used in very large environments at a very high output.
  - Ideal for battery back-up applications.
  - Automatic synchronisation.
  - Auto time delay 1 to 2/3 versions available.
  - Reverse polarity 1<sup>st</sup> to 2<sup>nd</sup> stage versions available.
  - Special tones available on request.
  - Fully Programmable version available: 4-stage, each stage may be programmed with any tone.
- For operating parameters see table below

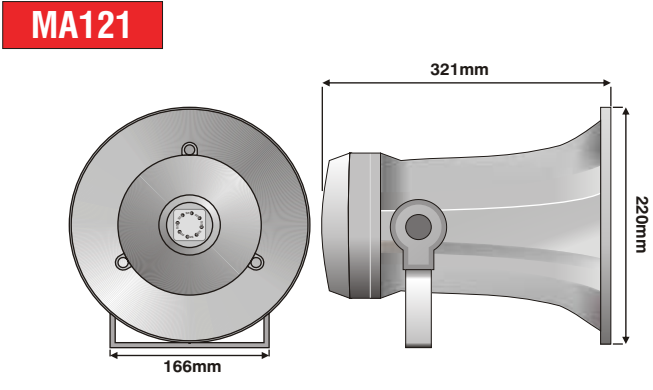
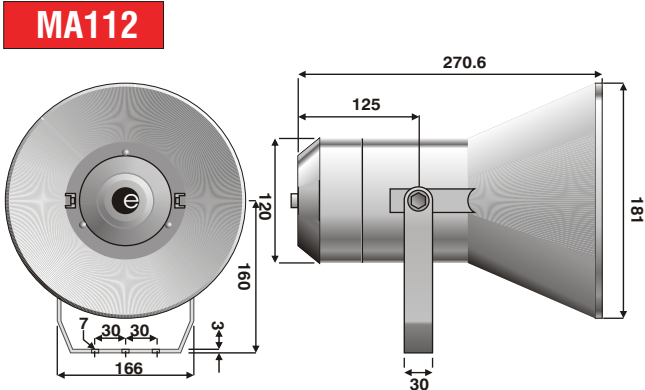


A140	140dB	32	1-2km	IP55	25	+55 -25	3		
------	-------	----	-------	------	----	---------	---	--	--

## MARINE GRADE SOUNDERS

### e2S MARINE SOUNDERS MA112/MA121

- Colour : Grey  
 Fully Programmable version available: 4-stage, Each stage may be programmed with any tone.  
 Positive or negative stage switching versions.  
 Switch from 1<sup>st</sup> to 2<sup>nd</sup> stage tone by reversing voltage on DC versions  
 Heavy duty sealed sounder  
 Also available: Appello speech & tone MV112  
 Loudspeakers ML15 or ML25  
 Sounder/Strobe combo MCA112-05  
 For Operating Parameters see table below



MA112	112dB	45	125m	IP67	1.8DC-2.3AC	+55 -25	3	✓	✓
MA121	121dB	45	350m	IP67	2.0DC-2.5AC	+55 -25	3	✓	✓

### Operating Parameters

Model	Current @ maximum output @ nominal voltage					
	Normal Output at nominal voltage	24V DC 10-35V DC	48V DC 36-60V DC	24V AC 10-30V AC	110V AC ±10%	230V AC ±10%
A140	140dB(A)	8A	-	-	2A	1A
MA112	112dB(A)	10A slow blow fuse	-	500mA	5A slow blow fuse	3A slow blow fuse
MA121	121dB(A)	200mA	120mA	1000mA	110mA	60mA
		950mA	-		150mA	