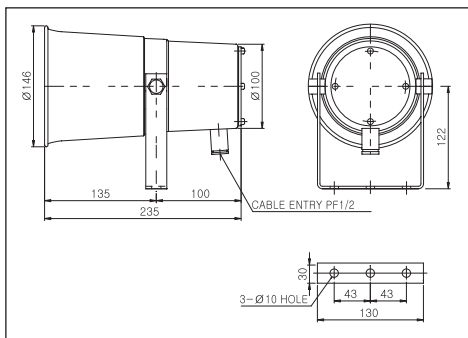


# HEAVY DUTY SIRENS

## SEHN25-WS

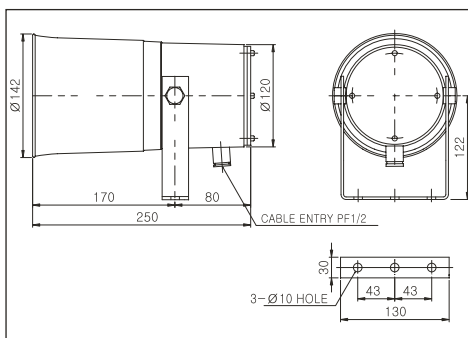
- Heavy duty steel housing suitable for noisy, moist & dusty environments
- Volume control
- 5 - Tones switch selectable
- 108-115dB @ 1m
- Body standard colour: Red
- Material: Steel housing
- Operating temperature: -20°C~50°C



Model	Built in sounds	dB	Rated V	Voltage/current	Weight	Built in Sounds	Ch	Sound Tone
SEHN25	WS 5 Warning sounds	108dB/ 115dB	DC12V	DC12V/0.310A	DC-2.24Kg AC-2.50Kg	5 Warning sounds	Ch1 Ch2 Ch3 Ch4 Ch5	(Fire(WAIL)Sound)
			DC24V	DC24V/0.510A				(Emergency(YELP)Sound)
			AC110V	AC110V/0.102A				(Ambulance PI-PO(HI-LOW)Sound)
			AC220V	AC220V/0.051A				(Machinery Fault(PI-PI-PI Short interval) (High-Expansion Foam Release, PI-Continuous)

## SEHN50-WS

- Heavy duty steel housing suitable for noisy, moist & dusty environments
- Volume control
- 5 - Tones switch selectable
- 113-120dB @ 1m
- Body standard colour: Red
- Material: Steel housing
- Operating temperature: -20°C~50°C

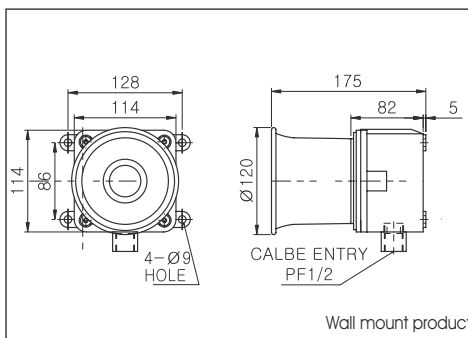


Model	Built in sounds	dB	Rated V	Voltage/current	Weight
SEHN50	WS 5 Warning sounds	113dB/ 120dB	DC12V	DC12V/1.030A	DC-2.67Kg AC-3.30Kg
			DC24V	DC24V/0.690A	
			AC110V	AC110V/0.193A	
			AC220V	AC220V/0.117A	

Built in Sounds	Ch	Sound Tone
5 Warning sounds	Ch1	(Fire(WAIL)Sound)
	Ch2	(Emergency(YELP)Sound)
	Ch3	(Ambulance PI-PO(HI-LOW)Sound)
	Ch4	(Machinery Fault(PI-PI-PI Short interval)
	Ch5	(High-Expansion Foam Release, PI-Continuous)

## SEWN30E-WS

- Heavy duty Aluminium housing suitable for vessels, iron mills and colour plants etc
- Volume control
- 5 - Tones switch selectable
- 110-115dB @ 1m
- Box standard colour: Grey
- Horn housing standard colour: Red
- Material: Box=Diecast Aluminium  
Horn housing=S/Steel (316L)
- Operating temperature: -20°C~50°C

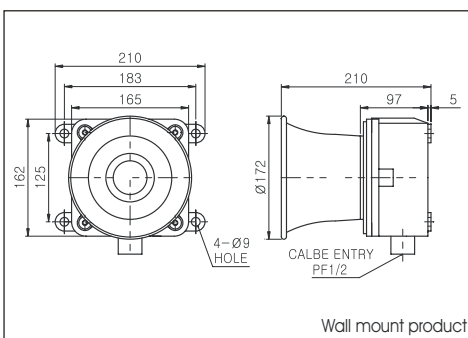


Model	Built in sounds	dB	Rated V	Voltage/current	Weight
SEWN30E WALL MOUNTING	WS 5 Warning sounds	110dB/ 115dB	DC12V	DC12V/1.070A	DC-1.76Kg AC-2.11Kg
			DC24V	DC24V/0.930A	
			AC110V	AC110V/0.176A	
			AC220V	AC220V/0.083A	

Built in Sounds	Ch	Sound Tone
5 Warning sounds	Ch1	(Fire(WAIL)Sound)
	Ch2	(Emergency(YELP)Sound)
	Ch3	(Ambulance PI-PO(HI-LOW)Sound)
	Ch4	(Machinery Fault(PI-PI-PI Short interval)
	Ch5	(High-Expansion Foam Release, PI-Continuous)

## SEWN50E-WS

- Aluminium housing suitable for noisy environments such as iron mills and outdoor plants and for vessel products needing high durability and anti-corrosion
- Volume control
- 5 - Tones switch selectable
- 113-120dB @ 1m
- Box standard colour: Grey
- Horn housing standard colour: Red



- Material: Box=Diecast Aluminium  
Horn housing=S/Steel (316L)
- Operating temperature: -20°C~50°C

Model	Built in sounds	dB	Rated V	Voltage/ current	Weight	Built in Sounds	Ch	Sound Tone
SEWN50E WALL MOUNTING	WS 5 Warning sounds	113dB/ 120dB	DC12V	DC12V/1.030A	DC-4.22Kg AC-4.52Kg	5 Warning sounds	Ch1	(Fire(WAIL)Sound)
			DC24V	DC24V/0.690A			Ch2	(Emergency(YELP)Sound)
			AC110V	AC110V/0.193A			Ch3	(Ambulance PI-PQ(HI-LOW)Sound)
			AC220V	AC220V/0.117A			Ch4	(Machinery Fault(PI-PI-PI Short interval)
						Ch5	(High-Expansion Foam Release, PI-Continuous)	

## A SERIES INDUSTRIAL SOUNDERS

Model name	Sound Output @ 1m	No. of Tones	Effective Range at 1kHz	Degree of protection	Weight (kg)	Temp. of Range	Stages	Marine Area	Volume contro 1
------------	-------------------	--------------	-------------------------	----------------------	-------------	----------------	--------	-------------	-----------------

★★ All sounders are available as sounder / beacon combination units using the L101 beacon ★★

### E2S AlertAlarm A105N/A105N-IS (Intrinsically safe)

Colour : Red

Auto Synchronised Sound Output

Heavy duty sounder

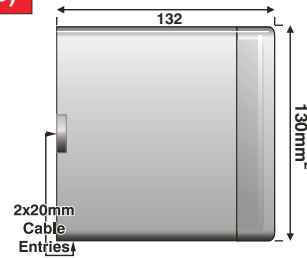
Switch from 1<sup>st</sup> to 2<sup>nd</sup> stage tone by reversing voltage on the DC versions

Suitable for Outdoor use

DC versions may be used on 10-30VAC for single stage applications only.

For Operating Parameters see table below.

A105N-IS Voltage: 8-30VDC only



A105N	105dB	32	60m	IP55	0.75DC-1AC	+55 -25	3		✓
A105N-IS	105dB	32	60m	IP66	1	+60 -20	3	✓	✓

### E2S AlertAlarm A112/A121

• Colour : Red

• Used in noisy industrial environments

• Fully Programmable version available: 4-stage, Each stage may be programmed with any tone.

• Positive or negative stage switching for the A110 version.

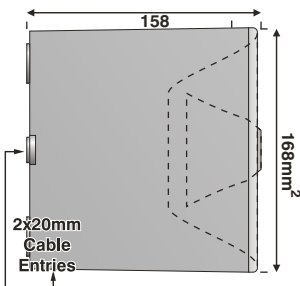
• Facility to switch from 1<sup>st</sup> to 2<sup>nd</sup> stage tone by reversing voltage on DC versions

• Suitable for outdoor use

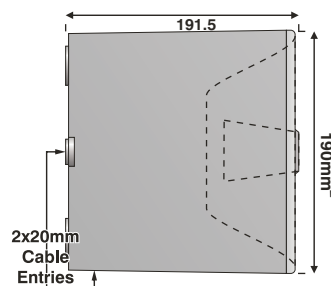
• For Operating Parameters see table below.

A112 has tones available up to 119dB.  
A121 has tones available up to 126dB.

#### AlertAlarm A112



#### AlertAlarm A121



A112	112dB	45	125m	IP55	1.36DC-1.50AC	+55 -25	3		✓
A121	121dB	45	300m	IP55	2.04DC-2.58AC	+55 -25	3		✓

### Operating Parameters

Model	Current @ maximum output @ nominal voltage					
	Normal Output at nominal voltage	24V DC 10-35V DC	48V DC 36-60V DC	24V AC 10-30V AC	110V AC ±10%	230V AC ±10%
A105N	105dB(A)	25mA	48mA	60mA	20mA	15mA
A112	112dB(A)	200mA	120mA	500mA	110mA	60mA
A121	121dB(A)	950mA	600mA	1000mA	240mA	120mA