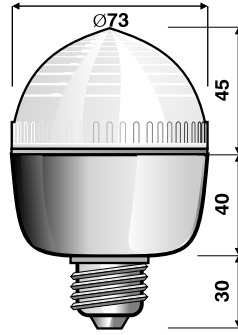


## STROBE LIGHTS

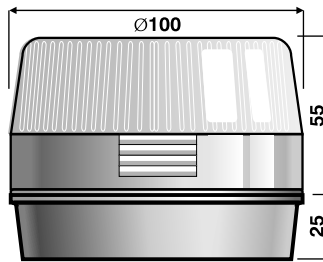
### EDISON EGG D200

- 110V AC - 1W
- 220V AC - 1W
- Candlepower: 320 000
- Flashes per min.: 60
- Weatherproof xenon strobe.
- Acrylic lens with ABS E27 base.
- Colours: Red, green, yellow, blue or clear.



### AX35B

- 12V DC - 150mA
- 24V DC - 60mA
- 110V AC - 28mA
- 220V AC - 14mA
- Candlepower: 100 000
- Flashes per min.: 120
- Intensive weatherproof xenon strobe.
- Acrylic lens with ABS base. Base Mounted.
- Colours: Red, green, yellow, blue & clear.



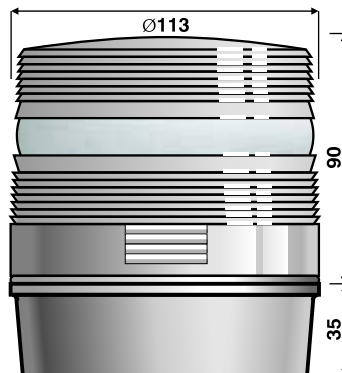
### AXE-25

- 12VDC
- Flashes per min.: 100
- Lens & base are polycarbonate
- Magnetic base
- Cigarette lighter plug
- Colours: Red, yellow, blue & clear



### AX26

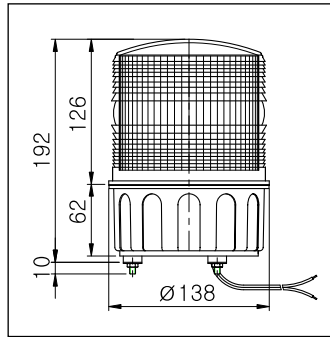
- 24V DC - 400mA
- 110V AC - 100mA
- 220V AC - 50 mA
- Candlepower: 900 000
- Flashes per min.: 120
- Acrylic lens with ABS base. Base Mounted.
- Super-intensive light for construction sites, signboards, outdoors etc...
- Colours: Red, green, yellow, blue or clear.



## STROBE LIGHT

### S150US

- Xenon lamp (6 Watt)
- Easy replacement connector type lamp
- Built in switch for controlling the frequency of continous Flashing(Possible to control 2 to 4 times)
- Optional FT fixing brackets
- High-brightness strobe HS type is custom-made
- Material Lens=Polycarbonate, Body=ABS



Model	Rated V	Current	Weight	Flashes per Min	
S150US	DC12V	0.640A	0.56Kg	60-80	■ Red
	DC24V	0.330A	0.56Kg		■ Yellow
	AC110V	0.105A	0.54Kg		■ Green
	AC220V	0.084A	0.54Kg		■ Blue

### S150-FT

Optional mounting brackets



## SOLO BEACON

- Impact resistant lens & enclosure
- Lens colours: Red, Yellow, Orange or Clear. (Green on special order).

### SOLO INCANDESCENT

#### SLI-....

- 12 or 24VDC, 110 or 220VAC
- ABS base & E14 lamp holder

### SUPER SOLO LED

#### SLF-....

- 12, 24, 72, 115 or 230V AC/DC
- Low current consumption
- Shock and vibration resistant
- 15 Selectable flash-rate/Pattern combinations as well as steady on option.
- Life expectancy 150 000 hours @ 70% duty cycle.
- LED colours: Red, Green, Yellow, Blue or White.

★ **NOW EVEN BRIGHTER** ★

### SOLO STROBE

#### SST-....

- 115 or 230VAC ? 10%
- Flash rate: 72 flashes/minute
- Current consumption : 80mA@115VAC/40mA @ 230V AC
- Flash power : 4 Joules @ 115VAC/230V AC
- Long life expectancy > 1000 hours (70% duty cycle)
- Over-Voltage protection
- Micro processor controlled



All supplied with Neoprene Gasket  
 All versions available with the following base options:-  
 ST=Standard  
 GD=Gland  
 GC=Gland & Cable

# ALERTALIGHT L101 BEACONS

## Xenon Beacon

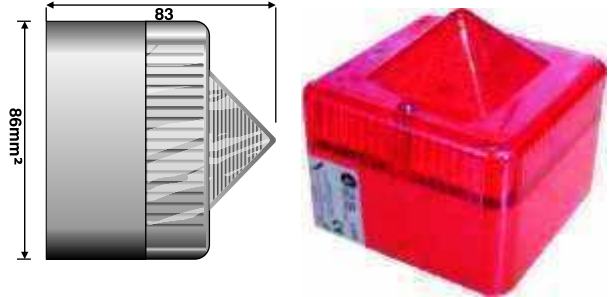
- Enclosure Colour: Red (RAL 3000)
- ABS Flame retardant plastic (UL94V0) with wide angle polycarbonate lens
- Strobe Output: 5 Joules (150 Candela)
- Strobe flash rate: 1hz. (Optional version: 2.5 Joules@2Hz)
- DC versions have reverse polarity diode protection
- IP55 Rating, (Gasket kit may be factory fitted to improve rating to IP56).
- Tube life: Emissions reduced to 70% after approximately 5 million flashes
- Colours: Red, Green, Yellow, Amber, Blue, Clear or Opal.

## Xenon Sync/flip-flop

- Similar to L101 ( same enclosure)
- Fully synchronised with other units on the same circuit
- Alternate flash, 'Flip Flop' selectable mode
- Tube life: same as above
- 12V & 24V are AC/DC

## LED/Filament Beacon

- Similar to L101 (same enclosure)
- 8 high output LED array or 3watt filament bulb versions
- Steady or blinking mode
- Remote switching from steady to blinking mode via 3 input terminals
- Intrinsically safe LED version available **L101L-IS**



Type	Normal voltage Voltage range	Current @ nominal voltage					
		12V DC 10-14V DC	24V DC 20-28V DC	48V DC 42-54V DC	24V AC ±10%	115V AC ±10%	230V AC ±10%
L101	5 Joule output	500mA	250mA	175mA	300mA*	70mA	35mA
L101-SYNC	SYNC	500mA	250mA	175mA	300mA	70mA	35mA
L101-LED	LED	150mA	100mA	100mA	110mA	54mA	27mA
L101-B	Bulb	250mA	125mA	65mA	130mA	30mA	15mA