

# MA121 Marine Grade IP67 Alarm Sounder unit

Click for full product range details: [www.e-2-s.com](http://www.e-2-s.com)

- Maximum output : 126dB(A) @ 1metre
- Nominal output : 121dB(A) @ 1m +/-3dB, Tone 2
- 45 alarm tones (UKOOA/PFEER compliant)
- 3 stage alarm option
- Volume control
- Automatic synchronisation on multi-sounder systems
- 350m effective range @ 1kHz
- Voltages : 24vdc(10-30vdc); 48vdc(35-60vdc); 24vac; 115vac;230vac
- Other voltages available upon request.
- DC versions may be used on 24vac +/-10% for single stage applications.
- Positive stage switching DC version available .
- Optional reverse polarity switching on DC units
- Fully programmable version with 4 stages available.
- Third party tested to IP67 & IP66
- Enclosure material : UL94V0 & 5VA rated FR ABS
- Colour available : Grey (RAL7038)
- Operating temperature : -25 to +55°C
- Storage temperature : -40 to +70°C
- Relative humidity : 90% at 20°C
- Weight : DC: 2.50Kg AC: 3.00Kg

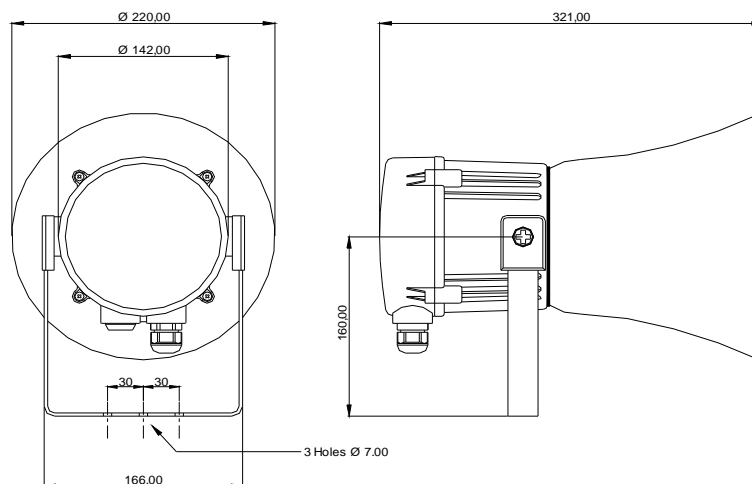


A heavy duty high output IP67 sealed sounder, ideal for harsh environments with high ambient noise levels.

- Large termination area
- 2 x M20 ISO cable gland entries (with 1 blanking plug).
- Ratchet adjustable stainless steel 'U' bracket for 360° positioning.
- All units offer IN & OUT terminals
- Terminals accept 0.5 to 4.0mm<sup>2</sup> cables.

Input voltages and current consumption for the MA121 sounder.

Voltage :	24vdc	48vdc	115vac 50/60Hz	230vac 50/60Hz	24vac 50/60Hz
Voltage range :	10-30vdc	35-60vdc	+/-10%	+/-10%	+/-10%
Current mA :	950mA	600mA	150mA	90mA	1000mA



All dimensions are in millimetres.

Also available :

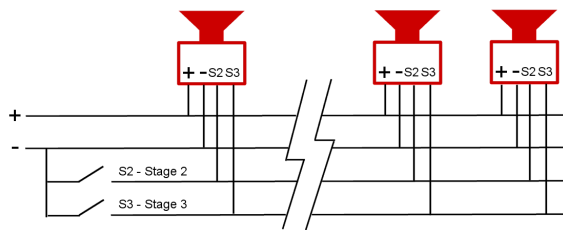
- **MCA112-05** combined sounder & beacon
- **ML15** 15w & **ML25** 25w marine loudspeaker
- **MA112** high output marine sounder
- **MB005** & **MB010** 5 and 10 Joule marine beacons
- **MV112** high output marine voice annunciation unit



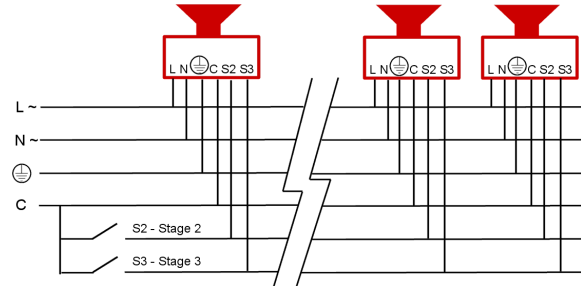
Stage 1	Frequency Description	dB @ 1m		Stage 2	Stage 3
Tone 1	340 Hz Continuous	113dB(A) @ 1m		Tone 2	Tone 5
Tone 2	800/1000Hz @ 0.25 sec Alternating	121dB(A) @ 1m		Tone 17	Tone 5
Tone 3	500/1200Hz @ 0.3Hz 0.5 sec Slow Whoop	121dB(A) @ 1m		Tone 2	Tone 5
Tone 4	800/1000Hz @ 1Hz Sweeping	121dB(A) @ 1m		Tone 6	Tone 5
Tone 5	2400Hz Continuous	125dB(A) @ 1m		Tone 3	Tone 20
Tone 6	2400/2900Hz @ 7Hz Sweeping	123dB(A) @ 1m		Tone 7	Tone 5
Tone 7	2400/2900Hz @ 1Hz Sweeping	125dB(A) @ 1m		Tone 10	Tone 5
Tone 8	500/1200/500Hz @ 0.3Hz Sweeping	121dB(A) @ 1m		Tone 2	Tone 5
Tone 9	1200/500Hz @ 1Hz - DIN / PFEER P.T.A.P.	121dB(A) @ 1m		Tone 15	Tone 2
Tone 10	2400/2900Hz @ 2Hz Alternating	126dB(A) @ 1m		Tone 7	Tone 5
Tone 11	1000Hz @ 1Hz Intermittent	121dB(A) @ 1m		Tone 2	Tone 5
Tone 12	800/1000Hz @ 0.875Hz Alternating	121dB(A) @ 1m		Tone 4	Tone 5
Tone 13	2400Hz @ 1Hz Intermittent	125dB(A) @ 1m		Tone 15	Tone 5
Tone 14	800Hz 0.25sec on, 1 sec off Intermittent	120dB(A) @ 1m		Tone 4	Tone 5
Tone 15	800Hz Continuous	120dB(A) @ 1m		Tone 2	Tone 5
Tone 16	660Hz 150mS on, 150mS off Intermittent	118dB(A) @ 1m		Tone 18	Tone 5
Tone 17	544Hz (100mS)/440Hz (400mS) - NF S 32-001	117dB(A) @ 1m		Tone 2	Tone 27
Tone 18	660Hz 1.8sec on, 1.8sec off Intermittent	118dB(A) @ 1m		Tone 2	Tone 5
Tone 19	1.4KHz-1.6KHz 1s, 1.6KHz-1.4KHz 0.5s -NFC48-265	126dB(A) @ 1m		Tone 2	Tone 5
Tone 20	660Hz Continuous	118dB(A) @ 1m		Tone 2	Tone 5
Tone 21	554Hz/440Hz @ 1Hz Alternating	118dB(A) @ 1m		Tone 2	Tone 5
Tone 22	544Hz @ 0.875 sec. Intermittent	118dB(A) @ 1m		Tone 2	Tone 5
Tone 23	800Hz @ 2Hz Intermittent	120dB(A) @ 1m		Tone 6	Tone 5
Tone 24	800/1000Hz @ 50Hz Sweeping	120dB(A) @ 1m		Tone 29	Tone 5
Tone 25	2400/2900Hz @ 50Hz Sweeping	124dB(A) @ 1m		Tone 29	Tone 5
Tone 26	Bell	118dB(A) @ 1m		Tone 2	Tone 15
Tone 27	554Hz Continuous	117dB(A) @ 1m		Tone 26	Tone 5
Tone 28	440Hz Continuous	117dB(A) @ 1m		Tone 2	Tone 5
Tone 29	800/1000Hz @ 7Hz Sweeping	121dB(A) @ 1m		Tone 7	Tone 5
Tone 30	300Hz Continuous	114dB(A) @ 1m		Tone 2	Tone 5
Tone 31	660/1200Hz @ 1Hz Sweeping	121dB(A) @ 1m		Tone 26	Tone 5
Tone 32	Two tone chime.	118dB(A) @ 1m		Tone 26	Tone 15
Tone 33	745Hz @ 1Hz Intermittent	116dB(A) @ 1m		Tone 2	Tone 5
Tone 34	1000 & 2000Hz @ 0.5 sec Alternating - Singapore	121dB(A) @ 1m		Tone 38	Tone 45
Tone 35	420Hz @ 0.625 sec Australian Alert	118dB(A) @ 1m		Tone 36	Tone 5
Tone 36	500-1200Hz 3.75sec /0.25sec. Australian Evac.	121dB(A) @ 1m		Tone 35	Tone 5
Tone 37	1000Hz Continuous - PFEER Toxic Gas	121dB(A) @ 1m		Tone 9	Tone 45
Tone 38	2000Hz Continuous	122dB(A) @ 1m		Tone 34	Tone 45
Tone 39	800Hz 0.25sec on, 1 sec off Intermittent	120dB(A) @ 1m		Tone 23	Tone 17
Tone 40	544Hz (100mS)/440Hz (400mS) - NF S 32-001	121dB(A) @ 1m		Tone 31	Tone 27
Tone 41	Motor Siren - slow rise to 1200 Hz	122dB(A) @ 1m		Tone 2	Tone 5
Tone 42	Motor Siren - slow rise to 800 Hz	121dB(A) @ 1m		Tone 2	Tone 5
Tone 43	1200 Hz Continuous	122dB(A) @ 1m		Tone 2	Tone 5
Tone 44	Motor Siren - slow rise to 2400 Hz	124dB(A) @ 1m		Tone 2	Tone 5
Tone 45	1KHz 1s on, 1s off Intermittent - PFEER Gen. Alarm	121dB(A) @ 1m		Tone 38	Tone 34

Note: SPL readings are at nominal voltage, typically +/-3dB and are for indication purposes only. Where applicable, reduce outputs by 5dB when a 10-30vdc unit is supplied 12vdc.

DC unit wiring configuration.



AC unit wiring configuration.



Ordering code :

<b>MA121</b>	<b>DC</b>	<b>24</b>	<b>G</b>
Product	Supply	Voltage	Housing
MA121	DC	24	G Grey
	AC	48	
		115	
		230	

TSP3601-C

No liability is accepted for any consequence of the use of this document.  
The technical specification of this unit is subject to change without notice due to our policy of continual product development. All dimensions are approximate. This unit is sold subject to our standard conditions of sale, a copy of which is available on request.

Tel : 0044(0)2087438880 mail : [sales@e-2-s.com](mailto:sales@e-2-s.com)  
Fax : 0044(0)2087404200 web : [www.e-2-s.com](http://www.e-2-s.com)

