

MIDI ROBOTS

FILAMENT LAMP -220AC/DC(8 000 hours life expectancy)

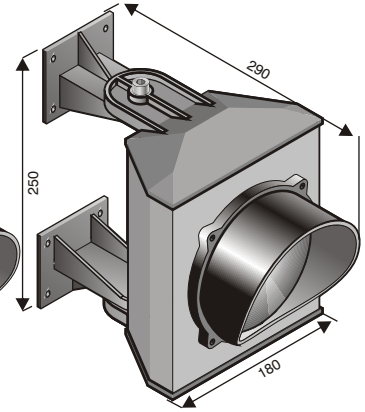
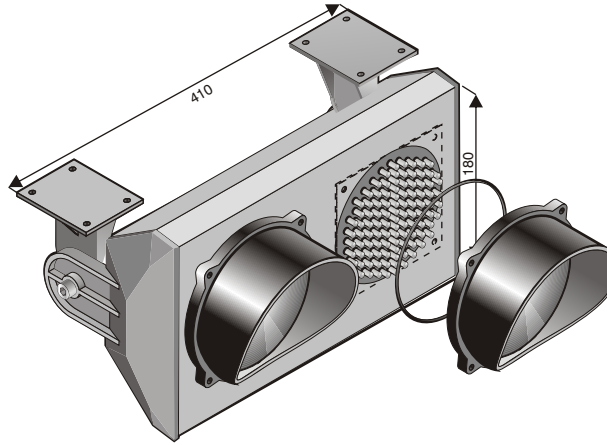
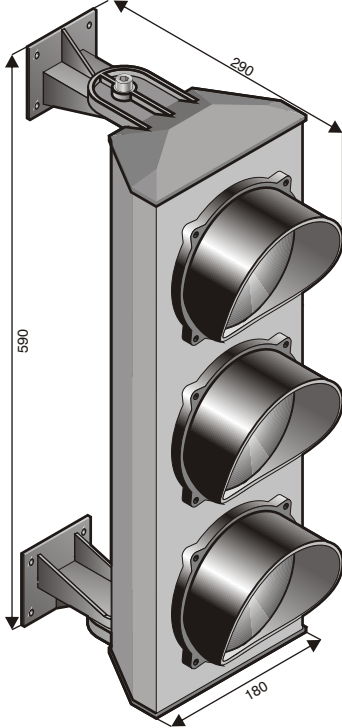
ORDER No. MIDIF - -

No. of lights:	<input type="text"/>	First Colour:	<input type="text"/>	Voltage:	<input type="text"/>	Polarity:	<input type="text"/>	Second&Third	<input type="text"/>
	<input type="text"/>	<input type="text"/>	<input type="text"/>		<input type="text"/>	<input type="text"/>	<input type="text"/>	<input type="text"/>	<input type="text"/>
	<input type="text"/>	<input type="text"/>	<input type="text"/>		<input type="text"/>	<input type="text"/>	<input type="text"/>	<input type="text"/>	<input type="text"/>
	<input type="text"/>	<input type="text"/>	<input type="text"/>		<input type="text"/>	<input type="text"/>	<input type="text"/>	<input type="text"/>	<input type="text"/>

LED LAMP -12, 24,48VDC & 110,220VAC(150 000 hours life expectancy)

ORDER No. MIDIL - -

No. of lights:	<input type="text"/>	First Colour:	<input type="text"/>	Voltage:	<input type="text"/>	Polarity:	<input type="text"/>	Second&Third:	<input type="text"/>
	<input type="text"/>	<input type="text"/>	<input type="text"/>		<input type="text"/>	<input type="text"/>	<input type="text"/>	<input type="text"/>	<input type="text"/>
	<input type="text"/>	<input type="text"/>	<input type="text"/>		<input type="text"/>	<input type="text"/>	<input type="text"/>	<input type="text"/>	<input type="text"/>
	<input type="text"/>	<input type="text"/>	<input type="text"/>		<input type="text"/>	<input type="text"/>	<input type="text"/>	<input type="text"/>	<input type="text"/>



This range of IP65 traffic lights in extruded, anodized and hot painted aluminium has been designed to control slow traffic. Ideal for residential hotels, blocks of flats, car parks, car washes, factories & mines etc.

It can be oriented through an angle of about 200° with 3 clicks. The material used for the plastic parts is PA6 30% glass fibre.

The standard unit has a 220v 70w long life filament lamp (8 000 Hours on average). It is also available on special order with extended long life led's (150 000 Hours on average).

Using our pre-programmed Super Relay PLC on page 7.1 these robots can be used for crossroad, intersection & single lane bi-directional applications where traffic control is extremely important.

WALKING STANDING MAN

CROSS ARROW LED INDICATOR

WSM-N-12D (12VDC neg. Comm)

WSM-N-24D (24VDC neg. Comm)

Red & Green LED indication.

APPLICATIONS:

Access control



WSMFL (Facia left)

WSMFR (Facia right)

Facia's available in black or grey.



APPLICATIONS :

Turnstiles
Cage Entry Queues

LED INDICATION:

■ Red (Cross)

■ Green (Arrow)

VOLTAGE:

24VDC

