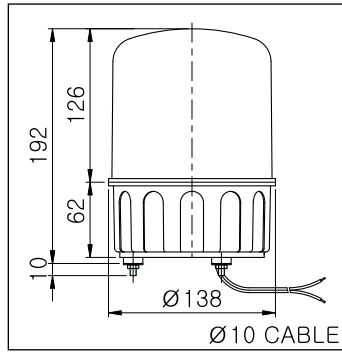


# FILAMENT ROTARY LIGHTS

## S150U

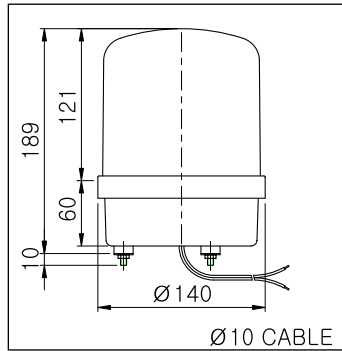
- Zero Noise Mirror Drive with Zero Wear
- Shatterproof Extra strong Polycarbonate lens
- Adjustable Rotation Speed 120 to 140 RPM
- Optional FT fixing brackets
- Material Body=ABS, Reflector=Aluminum



Model	Rated V	Current	Bulb		Weight	Colour
S150U	DC12V	2.600A	12V35W	BA 15S	0.73Kg	Red
	DC24V	1.342A	24V35W	BA 15S	0.73Kg	Yellow
	AC110V	0.320A	110V35W	BA 15D	1.12Kg	Green
	AC220V	0.160A	220V35W	BA 15D	1.12Kg	Blue

## S150R

- Zero Noise Mirror Drive with Zero Wear
- Stainless Steel housing for long life and durability
- Shatterproof Extra strong Polycarbonate lens
- Adjustable Rotation Speed 120 to 140 RPM
- Optional FT fixing brackets
- Material Body=SUS304, Reflector=Aluminum



Model	Rated V	Current	Bulb		Weight	Colour
S150R	DC12V	2.600A	12V35W	BA 15S	0.85Kg	Red
	DC24V	1.342A	24V35W	BA 15S	0.85Kg	Yellow
	AC110V	0.320A	110V35W	BA 15D	1.24Kg	Green
	AC220V	0.160A	220V35W	BA 15D	1.24Kg	Blue

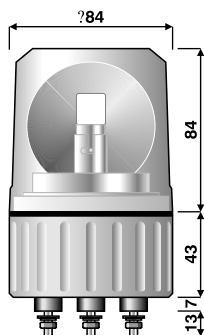
## S150-FT

Optional mounting brackets



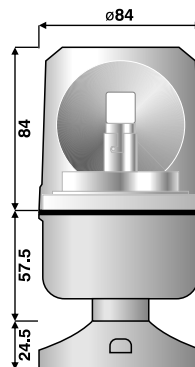
## TF SERIES

- 12V DC  
24V DC  
110/220V AC.
- Acrylic lens with ABS base
- Spare Globes available (BA15s - 5Watt)
- Bolt mount
- Red, Green, Yellow or Blue



## TX SERIES

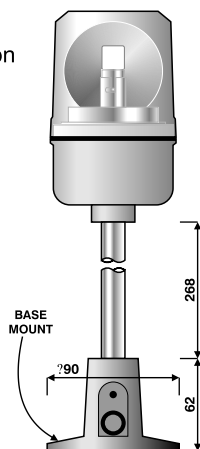
- 12V DC  
24V DC  
110/220V AC.
- Acrylic lens with ABS base
- Spare Globes available (BA15s - 5Watt)
- Base mount (or use accessories below for pole or wall mount).
- Red, Green, Yellow or Blue



## HANYOUNG ACCESSORIES

### ST012

Die cast base for TX beacon  
(Excluding pole)



### SP2

Wallstand for TX beacon  
(Pole & bracket)

