

HANYOUNG PROCESS TEMPERATURE CONTROLLER

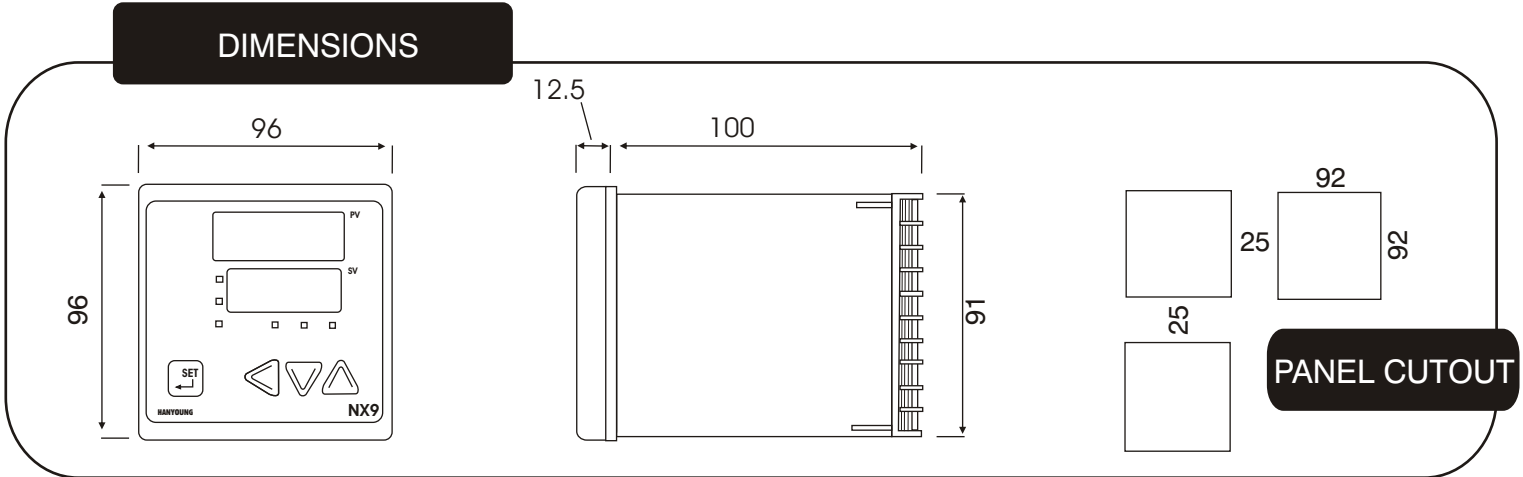
NX9

Features:

- | | |
|---|---------------------------------|
| Fuzzy | Zone PID |
| Auto tuning | Group PID (1,2,3) |
| Alarm output | Power supply for sensor (24vdc) |
| Retransmission output | Output limits |
| Universal input Output | Interface (RS485 / 422) |
| Free scale function (Voltage/Current input) | 3 Set points |
| Ramp function | Heater break alarm |
| Heating / Cooling | IP65 front facia |
| | 100-240VAC |



DIMENSIONS



TERMINAL ARRANGEMENT

VOLTAGE:
100-240V 50/60Hz 6W

CONTACT RATE: Out 1
3A 240V (Resistive load)
AL1,2 : 1A 240V

CURRENT OUT 1.2 :
4-20mADC
(Resistive load 600 max.)

SOLID OUT 1.2 : 24VDC
(Resistive load 600 min)

