

## DISPLAY SYSTEMS

### ADDAview16

**LED BACKLIT INDICATOR SYSTEM for use with PLC, MULTI 16 PLUS or AEM4**

16 way Tri-colour indicator windows.

**VUE16-1N-24D** 24VDC (Neg. comm.)

**VUE16-1P-24D** 24VDC (Pos. comm.) - (suitable for use with MLT-16 or AEM4)

- Jumper selectable colour per window (Red/Green/Amber)
- 34mA / window @ 24V DC (Amber) only 17mA for Red/Green
- Removable terminals
- User laser printable indicator window insert
- Fully solid state - life expectancy > 150 000Hours
- Standard DIN size Bezel (96x192) & Cutout size (90x183)
- Common negative & common positive versions

Tri-colour select (by input signals) & Modbus versions also available

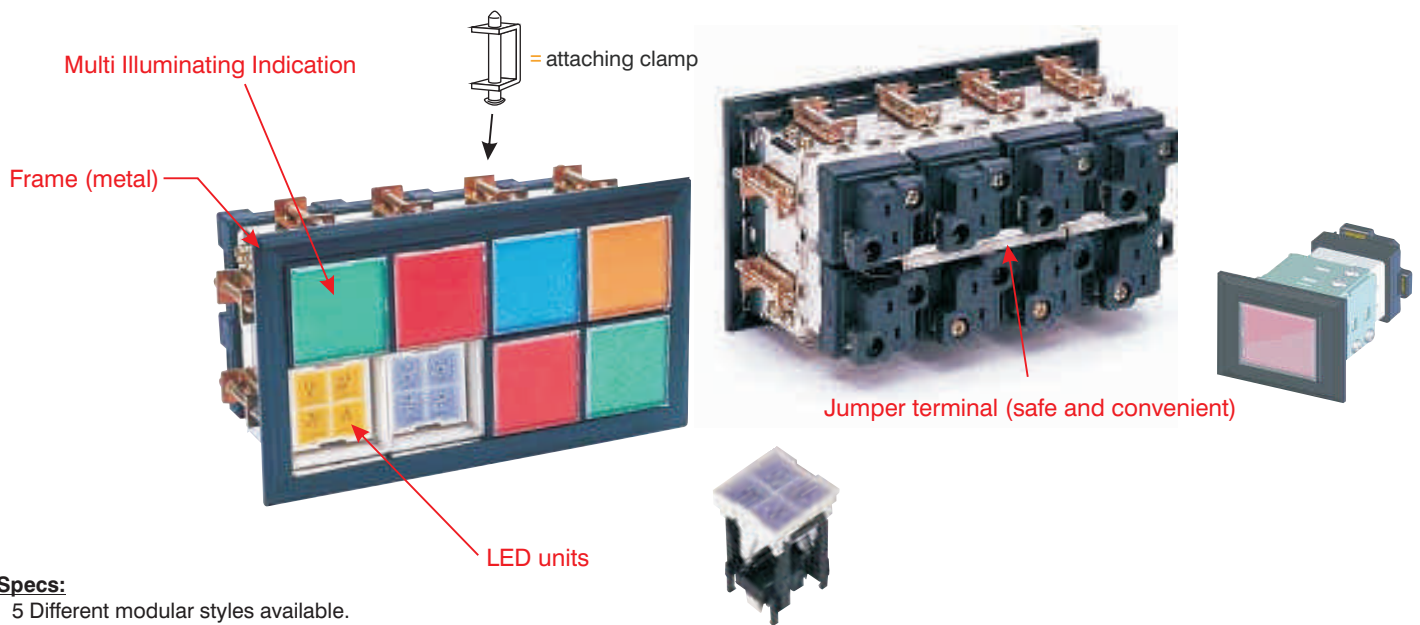


Bezel: 96x192mm

## AD17 SERIES LED ALARM WINDOWS

**AD17-30 Series**

**AD17-40 Series**



#### Specs:

5 Different modular styles available.

Bi-colour & flashing options available.

High Bright LED's: 150mcd

Life expectancy: 100000hrs

Colours: Red, Green, Yellow, Blue or White

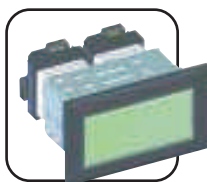
Voltages: 24VDC

110, 220 or 380 VAC

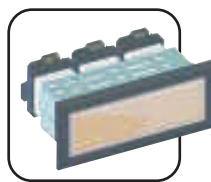
#### Types



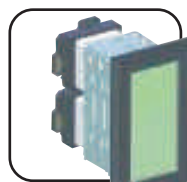
F-style



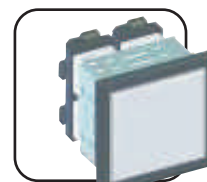
H-style



L-style



V-style



G-style



## Dimensions

Type	F-Style	H-Style	L-Style	V-Style	G-Style
Bezel	30x30 or 40x40	30x60 or 40x80	30x90 or 40x120	60x30 or 80x40	60x60 or 80x80
Illuminating Area	28x28 or 37x37	28x58 or 37x77	28x88 or 37x117	58x28 or 77x37	58x58 or 77x77
Name/Colour plate	27x27x1 or 35.8x38.5x1	27x57x1 or 35.8x75.8x1	27x87x1 or 35.8x115.8x1	57x27x1 or 75.8x35.8x1	57x57x1 or 75.8x75.8x1
Cut-Out	25x25 or 34x34	25x55 or 34x74	25x85 or 34x114	55x25 or 74x34	55x55 or 74x74

## SYSTEM 248

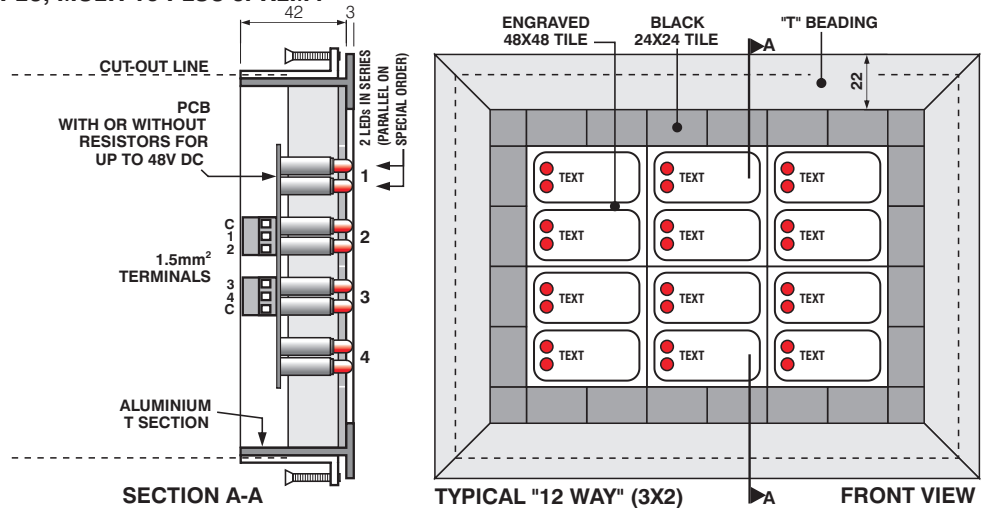
### SPOT LED INDICATOR SYSTEM for use with PLC, MULTI 16 PLUS or AEM4

Using our tile and grid system there are many different LED indicator systems available to suite your needs. We can fully rear illuminate the following tile sizes:  
24x24, 24x48 & 48x48mm

Colours:  
Red, Green, Yellow, Blue or White

There are also various options regarding the surround of this system.  
Edge tile, Aluminium T-section or our new Alutec type T-section that matches our Alutec Enclosures.

See our "Mimic Crafts" catalogue for more information.



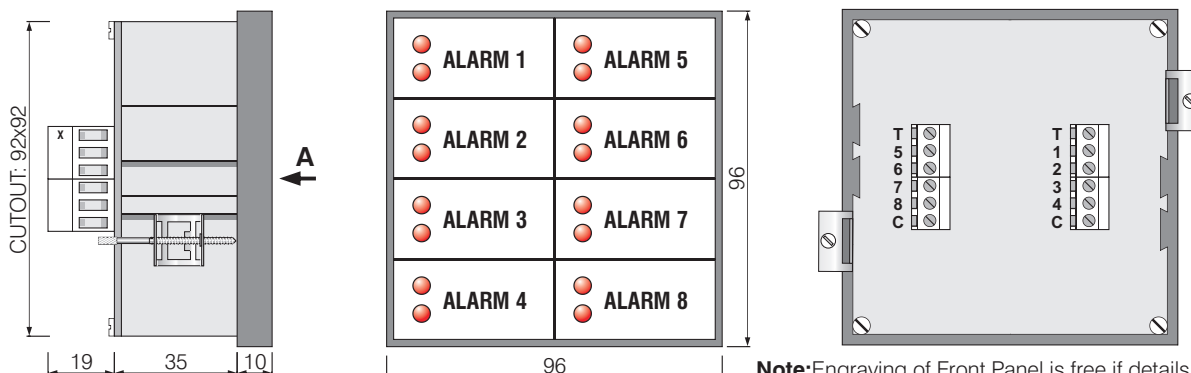
## SYSTEM 96

### SPOT LED INDICATOR SYSTEM for use with PLC, Multi-16 plus or AEM4

**ADSYS96-24D** 24VDC  
**ADSYS96-110D** 110VDC  
**ADSYS96-220A** 220VAC

All long life LED indications  
Number of indications from 8 to 16 per module and modules  
Can be increased to any number.  
(8 indications per module is standard)  
Industrial numbered terminals make for rapid wiring.  
Custom ribbon termination types available to PLC manufacturers  
so that complete indication systems can be plugged in 1 cable.

Multiplexed version available (on special order).  
Each unit operates from an 8 way central unit which has 18 terminals.  
(8 Data lines, 8 strobe lines and 2 power lines)  
From this, 7 extension units of 8 indications each can be Driven, giving a total of 64 indications for 16PLC outputs.

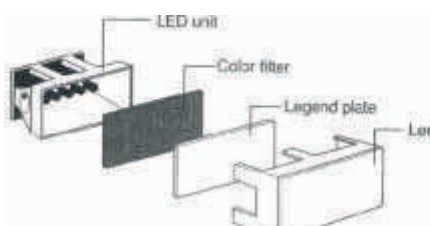
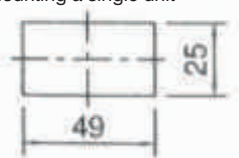
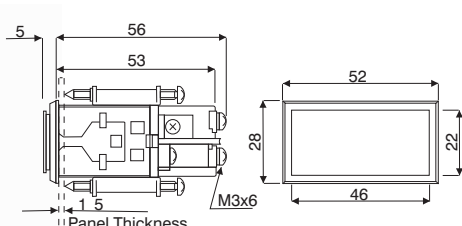
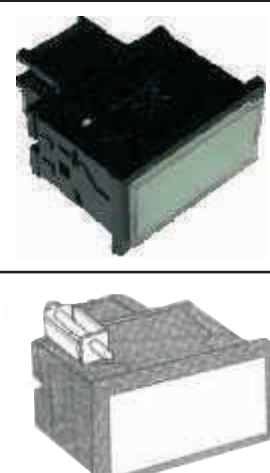


**Note:** Engraving of Front Panel is free if details are supplied on order, otherwise engraving is R 9-75 per alarm window

**KHE24C - 24D**

**FEATURES**

- Full voltage (24V DC), transformer, resistor and rectification bridge types are available for various power supplies.
- An even lighting surface provided by bright LED's (equivalent brightness of an incandescent lamp).
- Five vivid lighting colours available: Red, Green, Orange or Milky White (Yellow - ex - indent).
- Clamp mounting.
- A built-in protective diode efficiently resists reverse voltage.
- LED units can be easily replaced from the front surface.

<p><b>Structure of LED</b></p>  <p><b>Panel cut-out dimensions</b> When mounting a single unit</p> 	<p><b>Clamp method</b></p>  <p>Legend Plate size : 18 x 41.8mm          Legend Plate thickness : 2mm          Lighting Area : 18 x 41.8mm          Engraving space : 17 x 40mm</p>	
---	--	--

**48 BAT ALARM INDICATOR**

This alarm indicator is purposely manufactured for indication of alarms in critical condition applications where supply power is not always guaranteed. The alarm indicator has an internal battery supply with its own charging circuit to maintain battery condition. When the supply fails the indicator allows alarms to be indicated for a period of time using the internal battery capacity.

A lamp test function is included which, when wired via a 2 pole lamp test pushbutton, provides a simple battery test.

**Technical specifications:**

Bezel size	48x96	mm
Panel cutout size	44x92	mm
Depth from front of front panel	115	mm
Supply voltage	220 V	AC 10%
Power consumption maximum (no alarms)	32 mA	@ 220Vac
Battery type - Ni-Cd	4,8V	700mAH
Charge time from total discharge	24	Hrs
Standby time (1 Alarm On)	100	Hrs (min)
Standby time (2 Alarms On)	60	Hrs (min)
Standby time (3 Alarms On)	40	Hrs (min)
Standby time (4 Alarms On)	30	Hrs (min)
Standby time (5 Alarms On)	24	Hrs (min)
Standby time (6 Alarms On)	20	Hrs (min)
Standby time (7 Alarms On)	17	Hrs (min)
Standby time (8 Alarms On)	15	Hrs (min)

